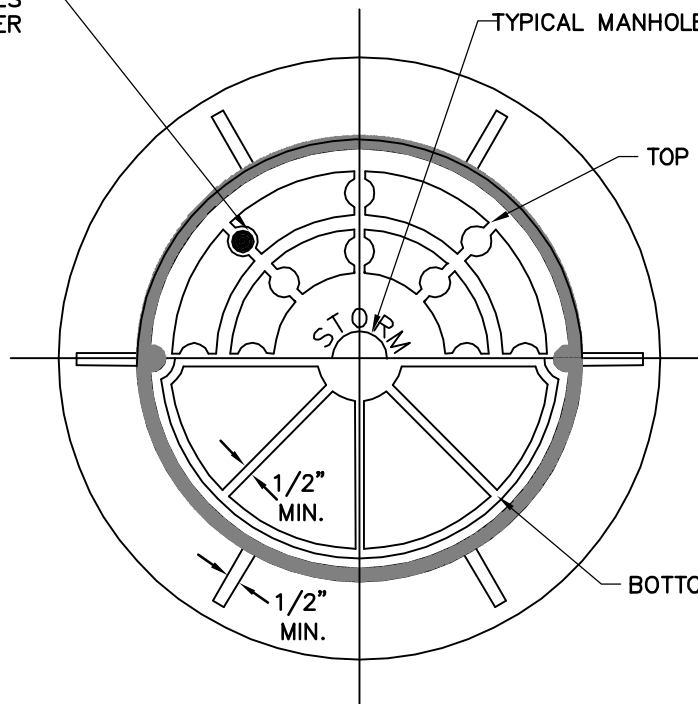


TWO 1" DIAMETER HOLES
REQUIRED FOR STORM SEWER

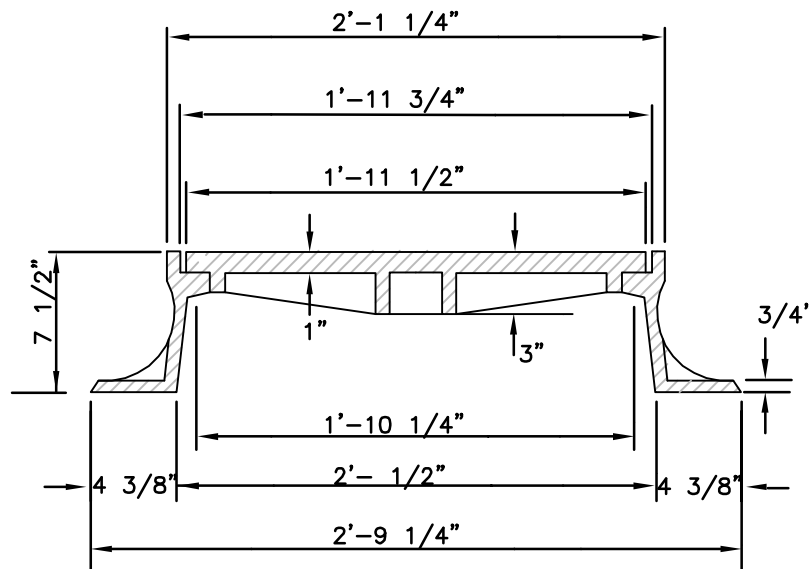
TYPICAL MANHOLE CENTERS

TOP OF COVER

BOTTOM OF COVER



PLAN VIEW



SECTION

MINIMUM AVERAGE WEIGHT

RING	190
COVER	120
TOTAL	310

REVISIONS	
DATE	DESCRIPTION

TOWN OF KNIGHTDALE
STANDARD DETAILS

STANDARD MANHOLE RING & COVER

STD. NO.

5.10