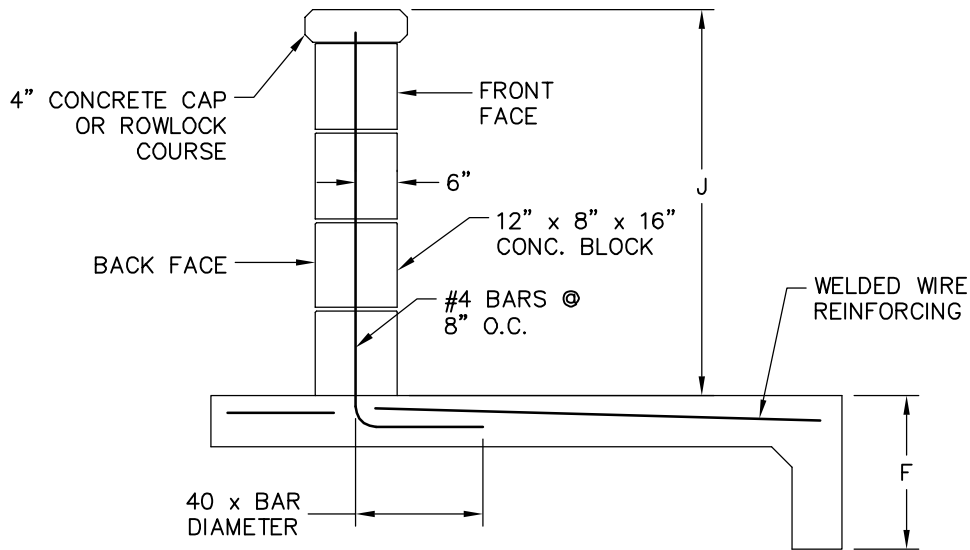


TOP VIEW



SECTION "A-A"

NOTES:

1. SEE STANDARD DETAIL 5.09 FOR DIMENSIONS.
2. PLACE 1 CUBIC FOOT OF WASHED STONE BEHIND EACH WEEP HOLE.
3. FILL EACH CAVITY COMPLETELY WITH 3000 P.S.I. CONCRETE. THE CONC. SHALL NOT FALL MORE THAN THE HEIGHT OF 5 LAYERS OF BLOCK.

REVISIONS	
DATE	DESCRIPTION

TOWN OF KNIGHTDALE
STANDARD DETAILS

STANDARD CONCRETE BLOCK
HEADWALL WITH WINGWALLS

1 of 2

STD. NO.

5.07