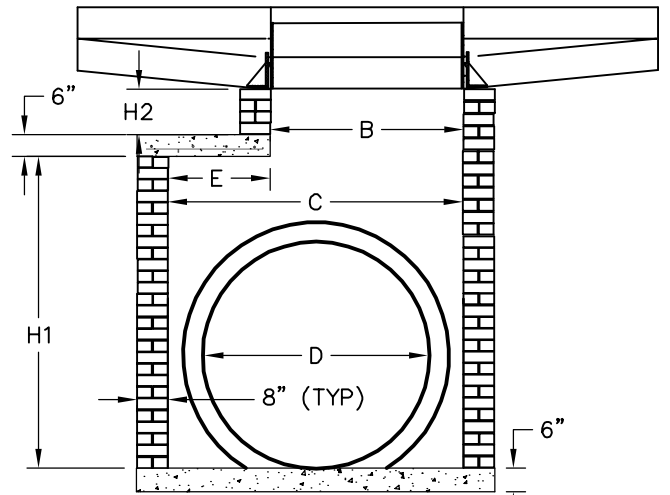
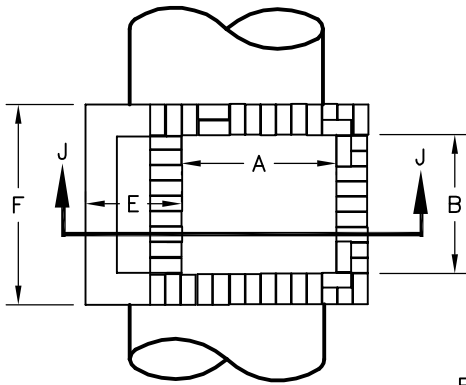


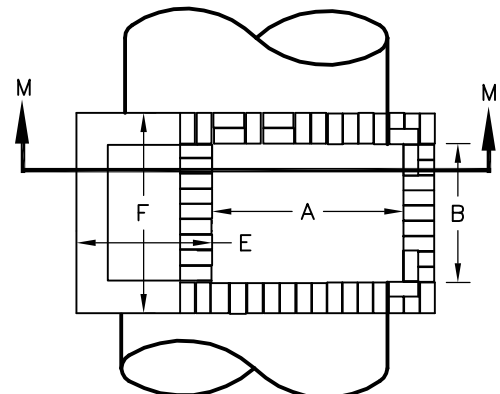
END ELEVATION J-J
WHERE 30" TO 36" PIPE IS USED



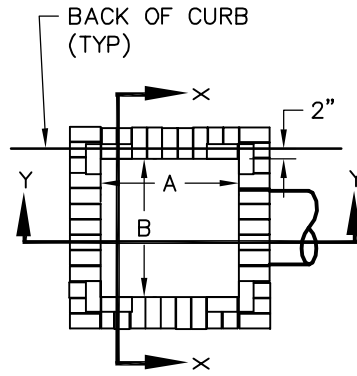
SIDE ELEVATION M-M
WHERE 42" TO 54" PIPE IS USED



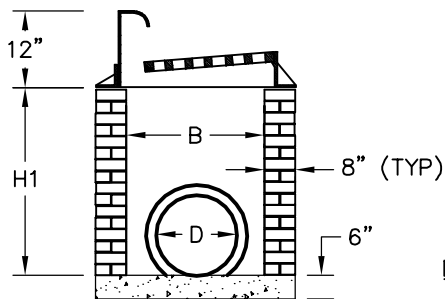
PLAN



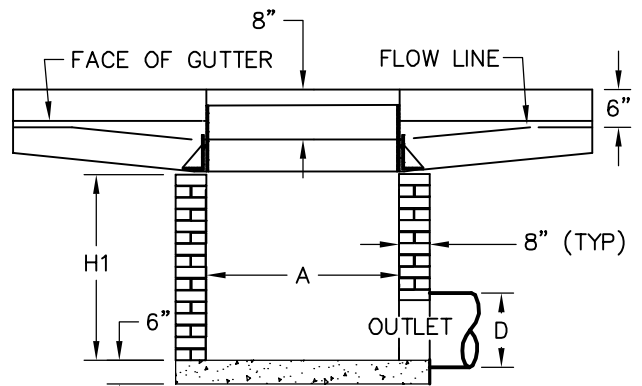
PLAN



PLAN VIEW



SECTION X-X



SECTION Y-Y

NOTES:

1. MORTAR JOINTS SHALL BE 1/2" THICK.
2. ALL CONCRETE SHALL BE 3000 P.S.I.
3. BASE SLABS SHALL BE FORMED PRIOR TO PLACING OF CONCRETE.
4. USETYPE "A" GRATE AT SAG POINTS, OTHERWISE USE TYPE "B" OR "C" FOR THE APPROPRIATE FLOW DIRECTION.
5. MASONRY UNITS MAY BE JUMBO BRICK, CONCRETE BRICK OR SOLID CONCRETE BLOCK.
6. ALL WALLS GREATER THAN 6' IN DEPTH SHALL BE CONSTRUCTED 12" THICK

REVISIONS	
DATE	DESCRIPTION

TOWN OF KNIGHTDALE
STANDARD DETAILS

STANDARD CURB INLET

1 of 2

STD. NO.

5.05