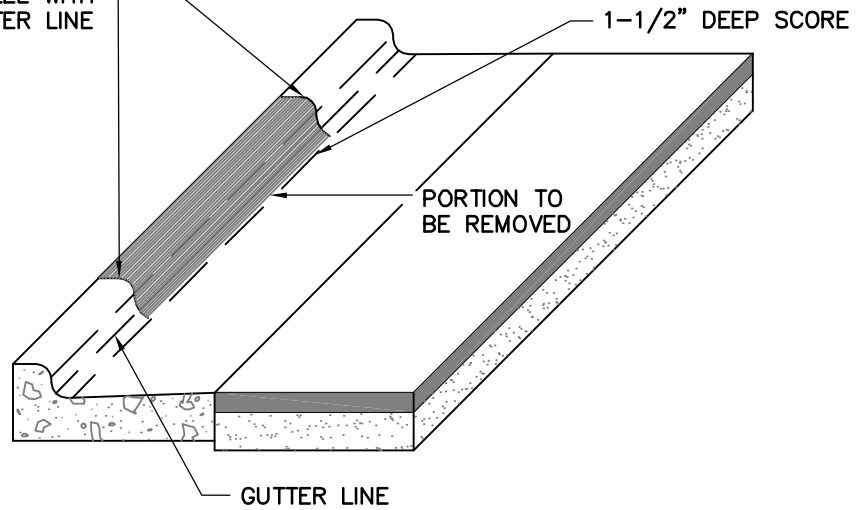
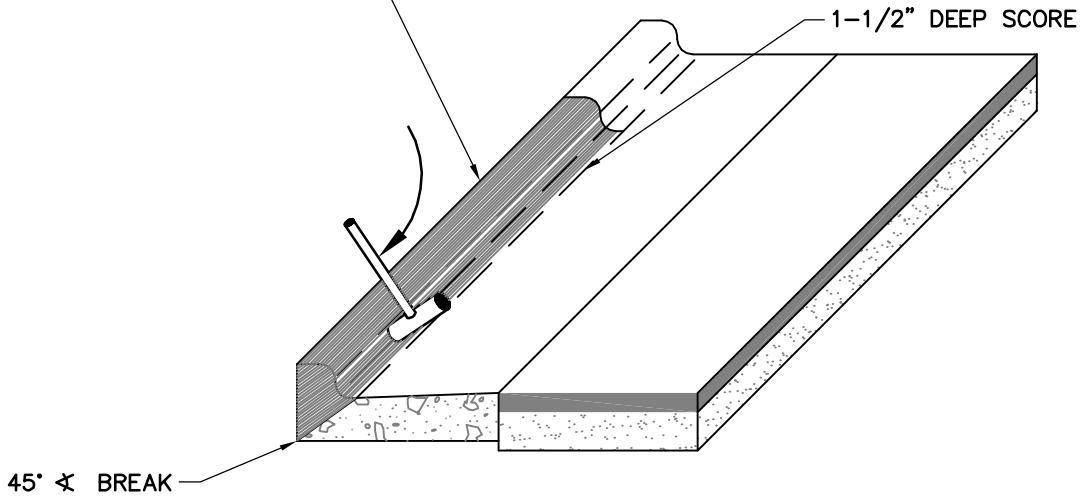


A 1-1/2" DEEP CUT SHALL BE MADE PERPENDICULAR TO BACK OF CURB AND THEN PARALLEL WITH GUTTER LINE



STEP ONE

— PORTION TO BE REMOVED AND REPLACED WITHIN THREE (3) WORKING DAYS



STEP TWO

NOTES:

1. CURB AND GUTTER SECTION SHALL BE REMOVED IN ACCORDANCE WITH DRIVEWAY WIDTH APPROVED BY THE TOWN.
2. IF PERPENDICULAR CUT IS WITHIN 12" FROM A JOINT, THEN THE PARALLEL CUT SHALL BE MADE TO THAT JOINT.

REVISIONS	
DATE	DESCRIPTION

TOWN OF KNIGHTDALE
STANDARD DETAILS

STANDARD METHOD OF REMOVING EXISTING CURB
(FOR A DRIVEWAY APRON INSTALLATION)

STD. NO.
4.07