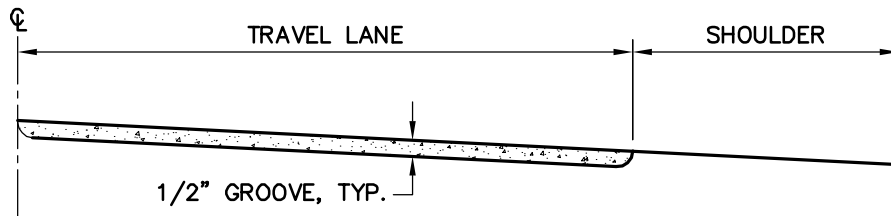


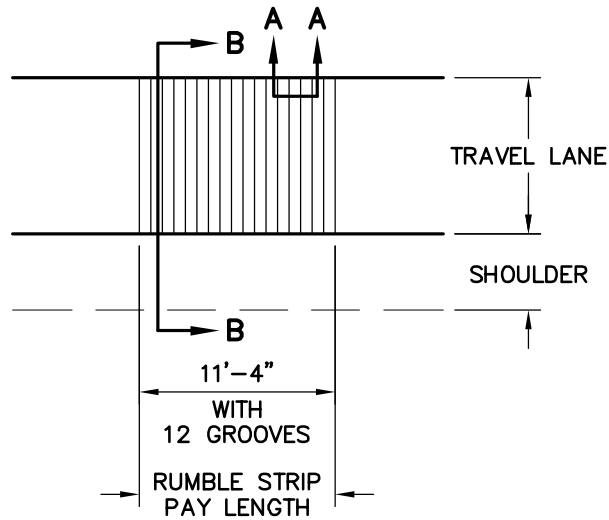
RUMBLE STRIP GROOVES IN ASPHALT OR CONCRETE SURFACE  
12 STRIPS PER CLUSTER, TYPICAL

SECTION A-A  
(GROOVED)



SECTION B-B  
(GROOVED)

PERMANENT GROOVED RUMBLE STRIPS



TYPICAL RUMBLE STRIP CLUSTER

REVISIONS	
DATE	DESCRIPTION

TOWN OF KNIGHTDALE  
STANDARD DETAILS

RUMBLE STRIPS  
TRAFFIC CALMING

STD. NO.

3.30