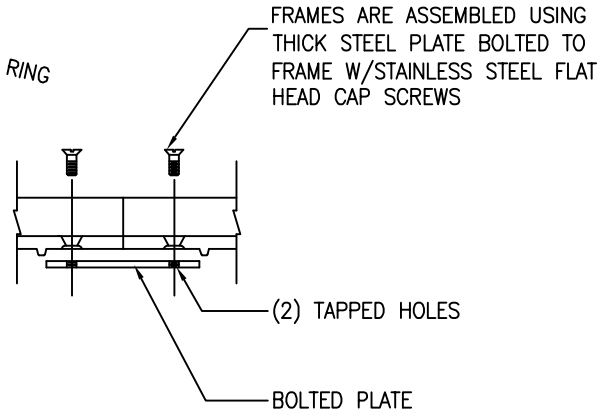


TREE GRATE W/BREAK AWAY RING  
NTS



ASSEMBLY DETAIL

NOTE:  
MATERIAL: CAST GRAY IRON ASTM A-48, CLASS 35B  
FINISH: NOT PAINTED

**NOTES:**

1. TREE GRATES ARE REQUIRED AT VARIOUS LOCATIONS IN TOWN TO COMPLY WITH ZONING REQUIREMENTS. ALL OTHER INSTALLATIONS OF TREE GRATES WITHIN THE R/W OF STATE MAINTAINED STREETS REQUIRE AN ENCROACHMENT AGREEMENT EXECUTED THROUGH NCDOT.
2. INSTALLATION TO BE COMPLETED IN ACCORDANCE WITH MANUFACTURER'S SPECIFICATIONS.
3. MATERIAL SHALL BE CAST GRAY IRON ASTM A-48, CLASS 35B WITH A NON PAINTED FINISH.
4. AN INSPECTION SCHEDULE IS NEEDED FOR TREES THAT WILL BE PLANTED IN THE STREET R/W DUE TO ZONING OR OTHER REQUIREMENTS. LANDSCAPE INSPECTION INCLUDES THE FOLLOWING:

TREE PIT/WELL OR PLANTING STRIP INSPECTION  
 SOIL MIX APPROVALS/INSPECTIONS  
 TREE APPROVALS/INSPECTIONS – PRIOR TO PURCHASING THE TREES, TO BE MADE BY TOWN  
 TREE PLANTING INSPECTION  
 FINAL WALK THROUGH

5. ALL OF THE ABOVE INSPECTIONS WILL BE PERFORMED BY THE TOWN

REVISIONS	
DATE	DESCRIPTION

TOWN OF KNIGHTDALE  
STANDARD DETAILS

TREE GRATE DETAIL

STD. NO.

3.22