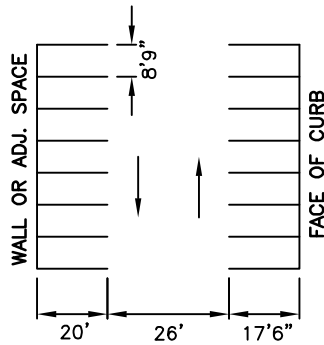


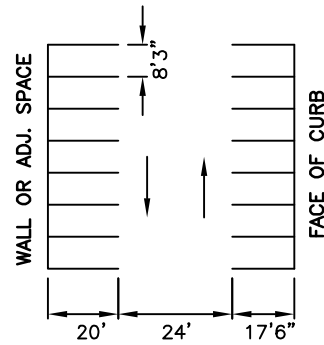
PLANNING & URBAN DESIGN  
DESIGN STANDARDS

RECOMMENDED LOS "A"



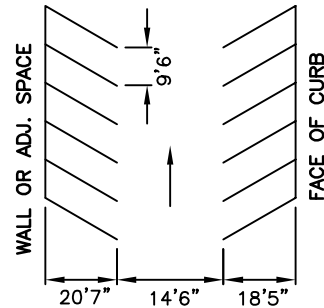
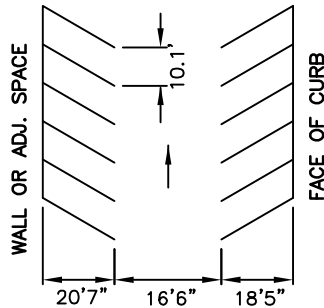
PARKING ANGLE 90°  
(TWO WAY OPERATION ONLY)  
TOTAL 63'6"

MINIMUM LOS "C"



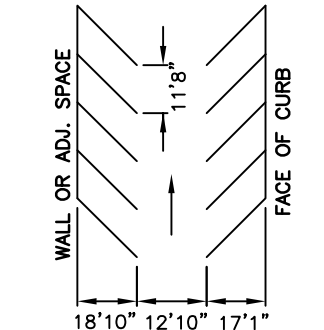
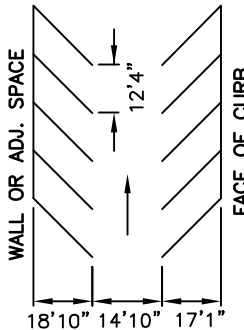
TOTAL 61'6"

PARKING ANGLE 60°  
(ONE WAY OPERATION ONLY)  
TOTAL 55'6"



TOTAL 53'6"

PARKING ANGLE 45°  
(ONE WAY OPERATION ONLY)  
TOTAL 50'9"



TOTAL 48'9"

NOTE:

1. FOR ACCESSIBLE PARKING STANDARDS SEE TOWN UNIFIED DEVELOPMENT ORDINANCE.
2. PAVEMENT MARKINGS SHALL BE 4" WHITE PAINT TO TOWN STANDARDS.

REVISIONS	
DATE	DESCRIPTION

TOWN OF KNIGHTDALE  
STANDARD DETAILS

PARKING STANDARDS

STD. NO.

3.20