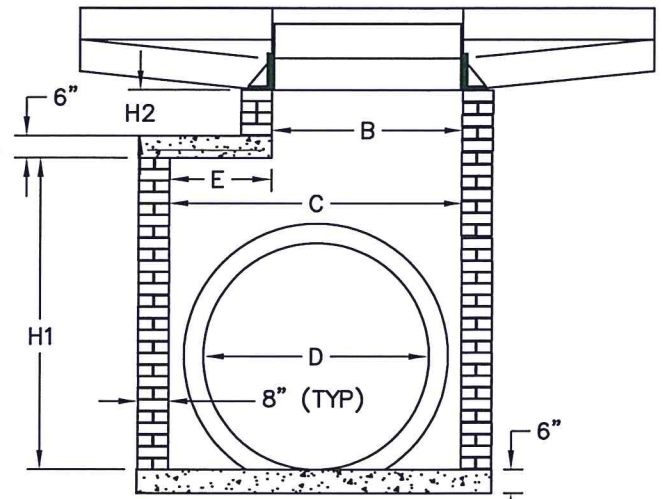
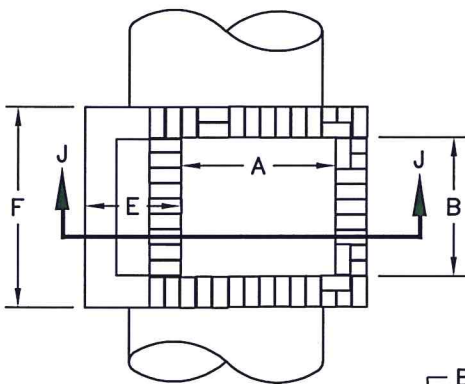


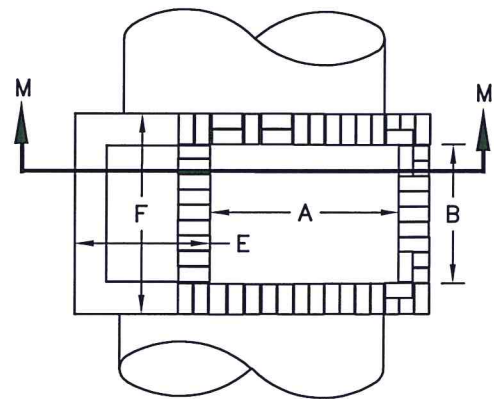
END ELEVATION J-J  
WHERE 30" TO 36" PIPE IS USED



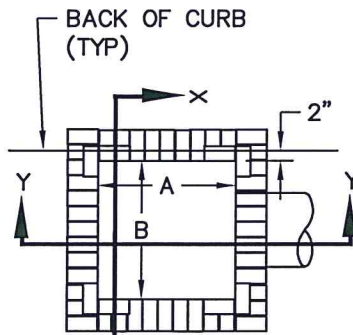
SIDE ELEVATION M-M  
WHERE 42" TO 54" PIPE IS USED



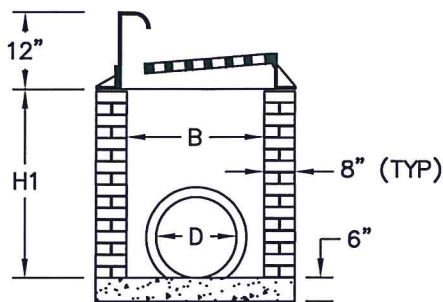
PLAN



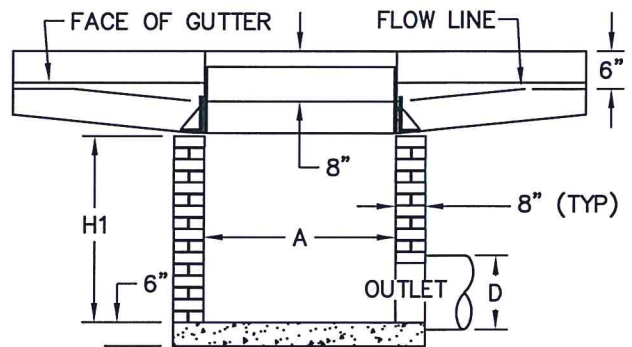
PLAN



PLAN VIEW



SECTION X-X



SECTION Y-Y

NOTES:

1. MORTAR JOINTS SHALL BE 1/2" THICK.
2. ALL CONCRETE SHALL BE 3000 P.S.I.
3. BASE SLABS SHALL BE FORMED PRIOR TO PLACING OF CONCRETE.
4. USE TYPE "A" GRATE AT SAG POINTS, OTHERWISE USE TYPE "B" OR "C" FOR THE APPROPRIATE FLOW DIRECTION.
5. MASONRY UNITS MAY BE JUMBO BRICK, CONCRETE BRICK, OR SOLID CONCRETE BLOCK.
6. ALL WALLS GREATER THAN 6' IN DEPTH SHALL BE CONSTRUCTED 12" THICK.

REVISIONS	
DATE	DESCRIPTION

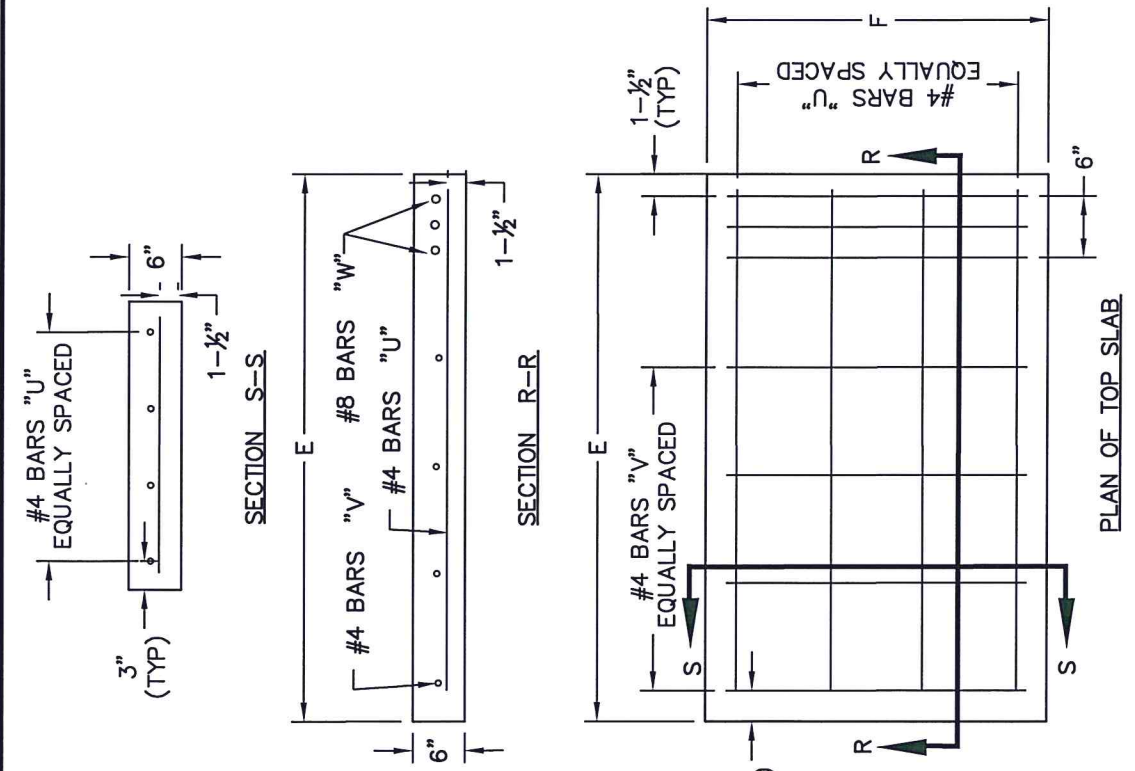
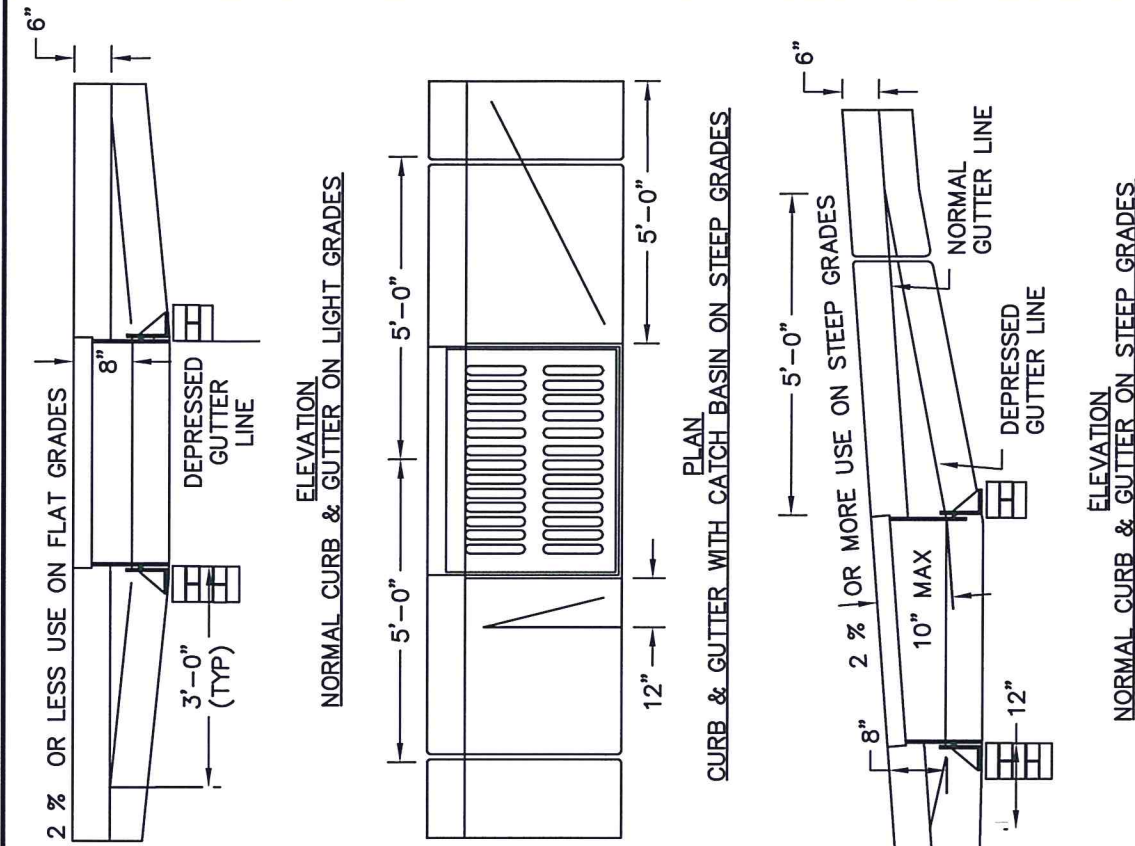
TOWN OF KNIGHTDALE  
STANDARD DETAILS

STANDARD CURB INLET  
BRICK BOX

1 of 4

STD. NO.

5.05-1



DIMENSIONS AND QUANTITIES FOR BRICK CATCH BASINS

PIPE	DIMENSIONS FOR BOX AND PIPE				COVER DIMENSIONS			REINFORCING				CUBIC YARDS OF CONCRETE IN BOX		BRICK MASONRY		DEDUCTIONS FOR ONE PIPE					
	SPAN	WIDTH	WIDTH	HEIGHT	SPAN	HEIGHT	MIN	H1	H2	E	F	BARS "U"	BARS "V"	BARS "W"	TOP SLAB	FLOOR TOTAL	CU YDS	PER FT ABOVE MIN H1	CM	RC	
D	A	B	C	G																	
15"	3'-0"	2'-2"			1'-10"	4'-4"	2'-6"	2'-10"				4	3	3	4'-1"	45		0.321	0.0308	0.047	
18"					2'-4"	4'-4"	2'-6"	2'-10"				4	4	4	4'-1"	49		0.321	0.0442	0.065	
24"					2'-1"	3'-6"	3'-4"	3'-10"				4	3	3	3'-3"	38		0.321	0.0794	0.113	
30"					3'-4"	3'-2"	3'-4"	3'-10"	1'-10"	4'-4"	4	3	3	4'-1"	45		0.321	0.1224	0.170		
36"					3'-10"	3'-8"	3'-8"	3'-10"	2'-4"	4'-4"	4	4	4	4'-1"	49		0.321	0.1760	0.230		
42"					4'-5"	4'-4"	4'-4"	4'-10"	2'-1"	3'-6"	4	3	3	3'-3"	40		0.321	0.2400	0.323		
48"					5'-0"	4'-10"	4'-10"	5'-4"	2'-6"	3'-6"	4	4	4	3'-3"	40		0.321	0.3131	0.460		
54"	3'-0"	2'-2"			5'-7"	5'-4"	5'-4"	5'-4"	3'-3"	3'-9"	4	6	3	3'-3"	48		0.321	0.3958	0.580		

REVISIONS	
DATE	DESCRIPTION

TOWN OF KNIGHTDALE  
STANDARD DETAILS

STANDARD CURB INLET  
BRICK BOX