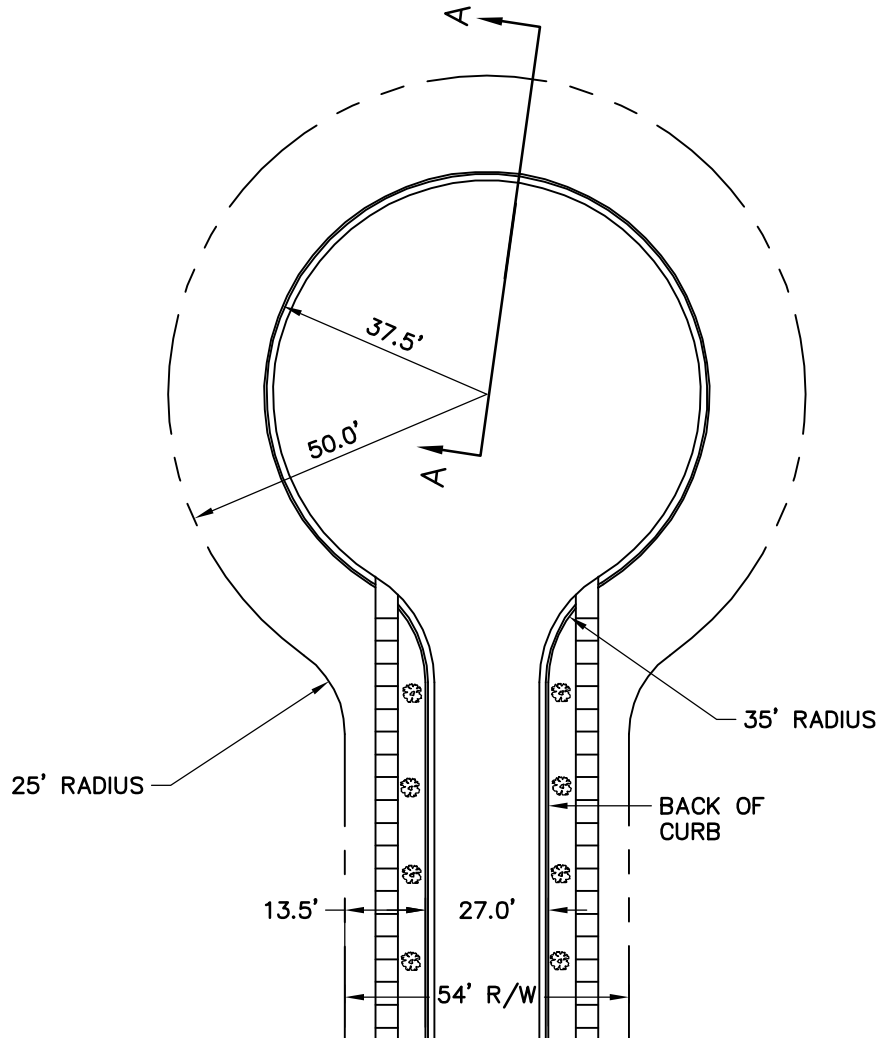


SECTION A

TERRAIN	MAX. SLOPE
LEVEL	2:1
ROLLING	2:1



REVISIONS	
DATE	DESCRIPTION

TOWN OF KNIGHTDALE
STANDARD DETAILS

CUL DE SAC SECTION

STD. NO.

3.08