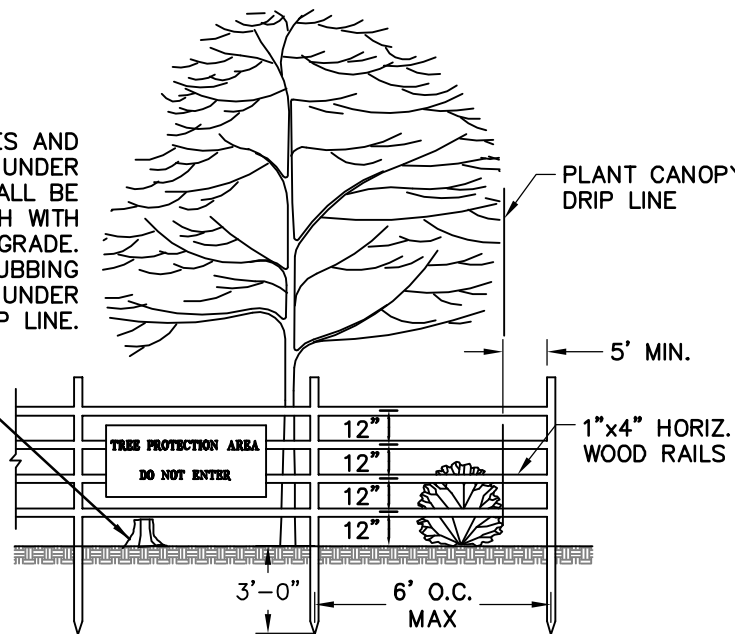
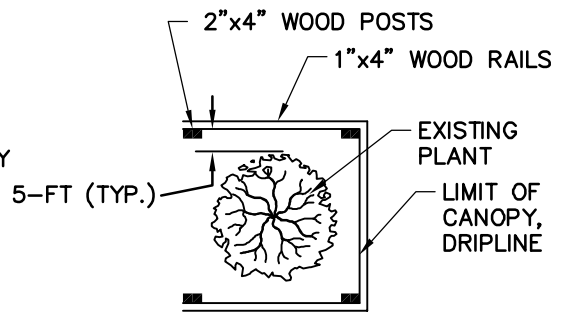


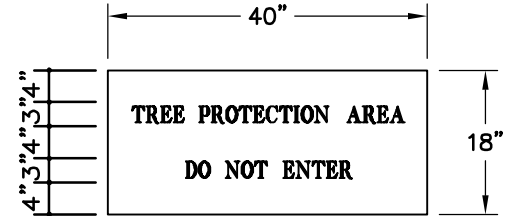
DEAD TREES AND SCRUB OR UNDER GROWTH SHALL BE CUT FLUSH WITH ADJACENT GRADE. NO GRUBBING ALLOWED UNDER DRIP LINE.



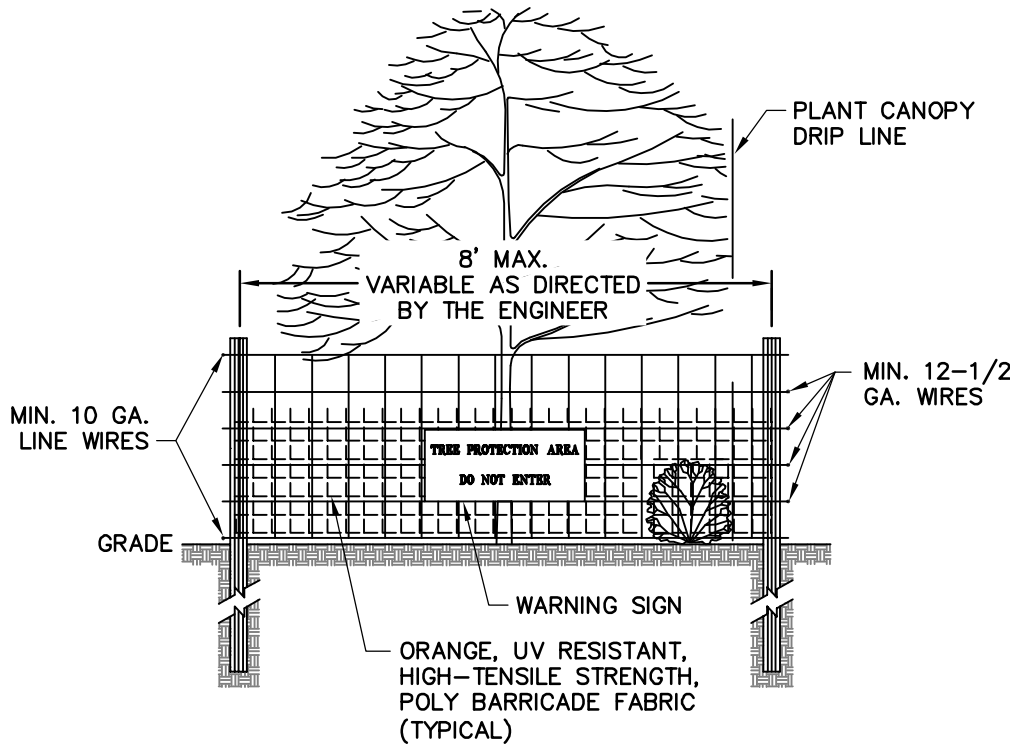
WOOD FENCE DETAIL



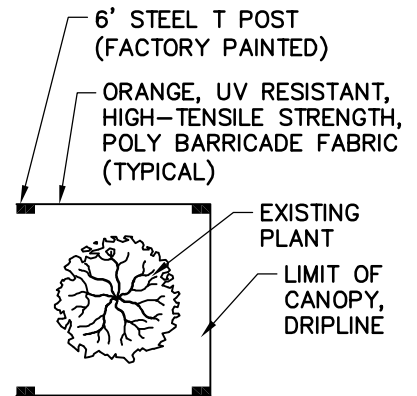
PLAN VIEW OF PROTECTIVE FENCING AROUND SINGLE TREE- EXPAND AS NECESSARY



WARNING SIGN DETAIL



PERFORATED PLASTIC FENCE DETAIL



PLAN VIEW OF PROTECTIVE FENCING AROUND SINGLE TREE- EXPAND AS NECESSARY

NOTES:

1. REMOVE ALL BARRIERS UPON COMPLETION OF PROJECT.
2. LANDSCAPING PLANS SHALL SHOW LOCATIONS OF ALL TREE PROTECTION FENCES.
3. ALL PLANTS TO BE SAVED SHALL BE PROTECTED BY FENCING AS SHOWN IN THIS DETAIL.
4. CONTRACTOR SHALL INSTALL FENCING PRIOR TO BEGINNING ANY CONSTRUCTION OR GRADING ACTIVITY.
5. CONTRACTOR SHALL CALL FOR INSPECTION AND APPROVAL OF PROTECTIVE FENCING PRIOR TO BEGINNING ANY CONSTRUCTION OR GRADING.
6. PROTECTIVE FENCING SHALL BE LOCATED 5' OUTSIDE DRIPLINE OF TREES AND 1' MINIMUM OUTSIDE SHRUBS OR OTHER PLANTS.

REVISIONS	
DATE	DESCRIPTION