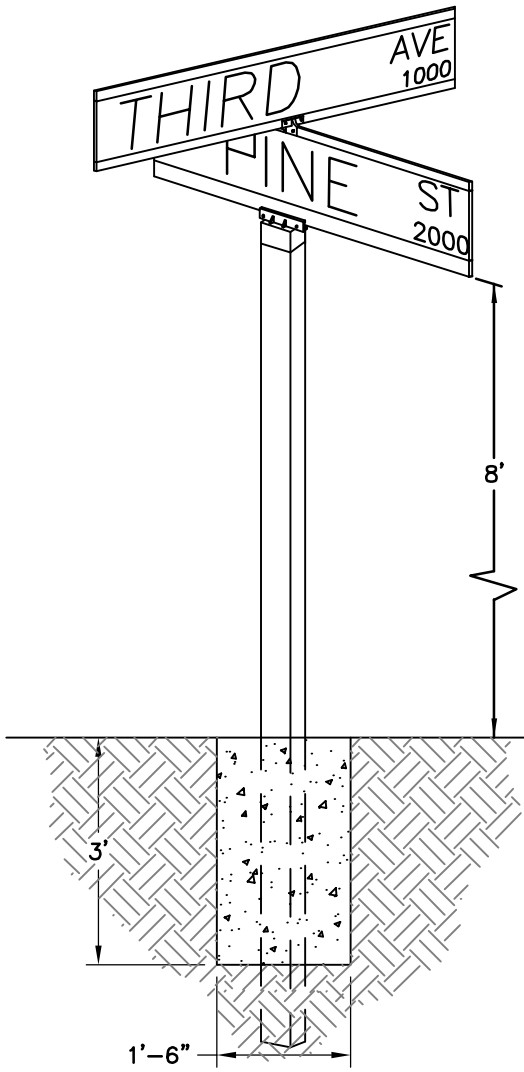


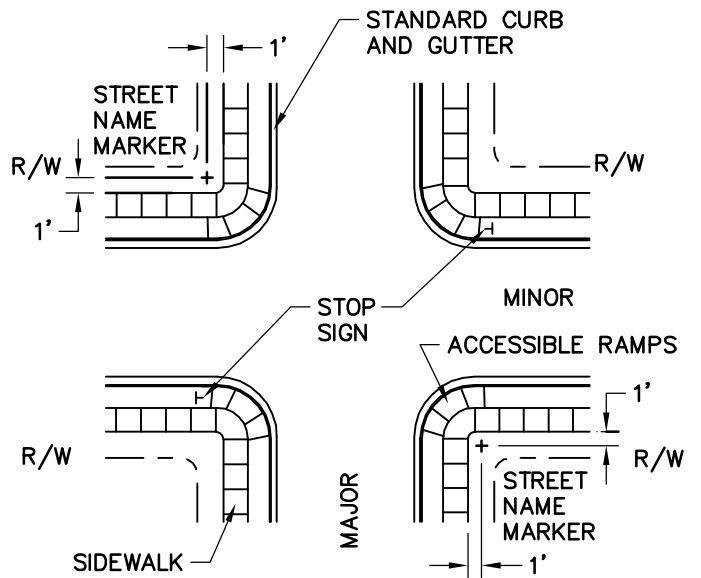
INSTALLATION OF STREET NAME SIGN



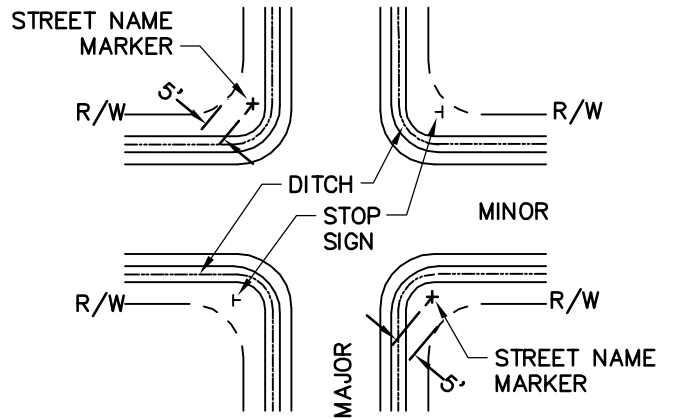
NOTES:

1. TWO STREET NAME MARKERS ARE REQUIRED IF THE MAJOR STREET HAS 3 OR MORE LANES.
2. ANY VARIANCE FROM THIS STANDARD MUST BE APPROVED BY THE TOWN OF KNIGHTDALE.

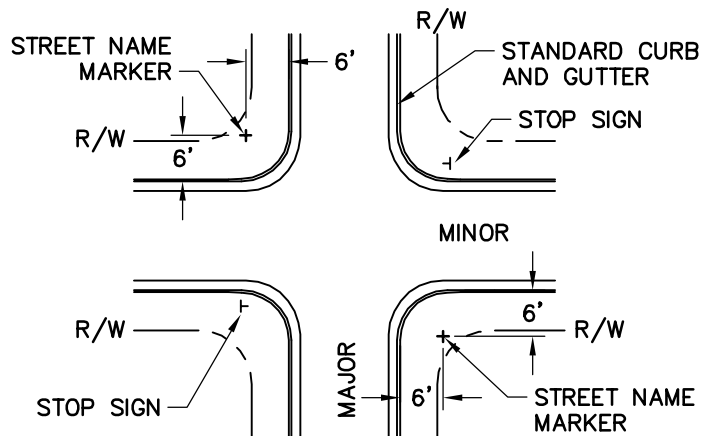
INTERSECTION WITH SIDEWALK, CURB, AND GUTTER



INTERSECTION WITH DITCHES, AND NO CURB AND GUTTER



INTERSECTION WITH CURB AND GUTTER



| REVISIONS | |
|-----------|-------------|
| DATE | DESCRIPTION |
| | |
| | |
| | |